



**MATERIAL**

Glass-fibre reinforced polyamide based (PA) technopolymer, black colour, matte finish.

**STANDARD EXECUTION**

Brass boss, threaded pass-through hole.

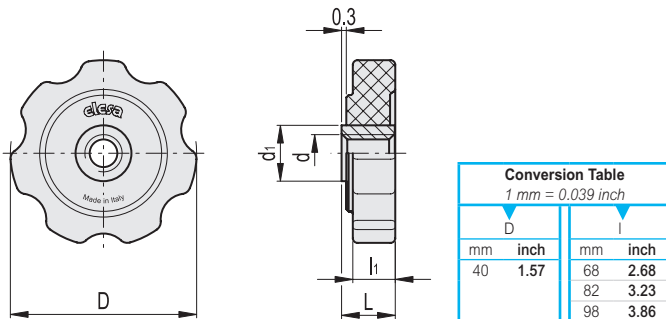
**FEATURES AND APPLICATIONS**

The ergonomic seven-lobe shape allows an effective grip to the operator when tightening.

Suitable for axial locking; it can be used as a nut.



ELESA Original design



| Code   | Description  | D  | d6H | L  | d1 | l1  | ⚖️ |
|--------|--------------|----|-----|----|----|-----|----|
| 168541 | GFL.40-B M8  | 40 | M8  | 10 | 12 | 8.5 | 7  |
| 168542 | GFL.40-B M10 | 40 | M10 | 10 | 13 | 8.5 | 6  |

